

Hush Panel Configurable Cubicle Partition Assembly Instructions



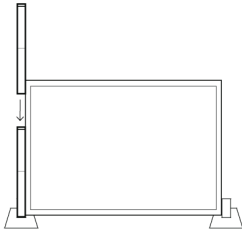
For questions regarding your Hush
Panel Configurable Cubicle
please contact us at
1-855-457-1473 or
customerservice@versare.com

1.



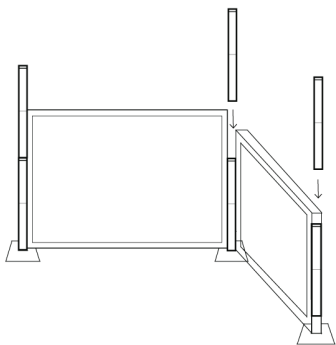
Building with the Hush Panel system is easy. A good starting point is to arrange the feet first.

2.



Next, place the panel between the feet, and slide the posts through the panel and into the feet.

3.



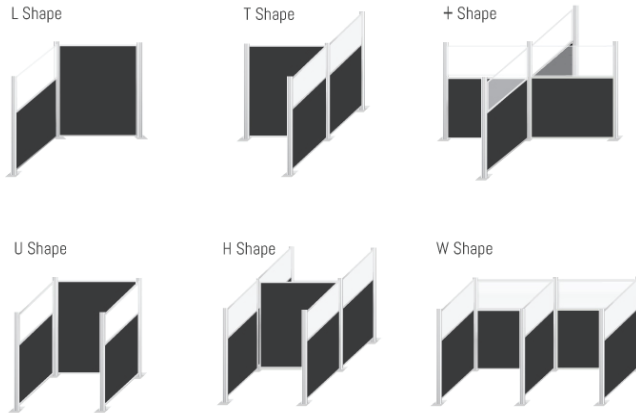
Repeat for each additional panel.



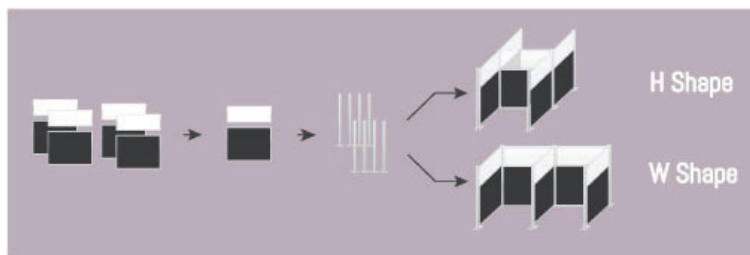
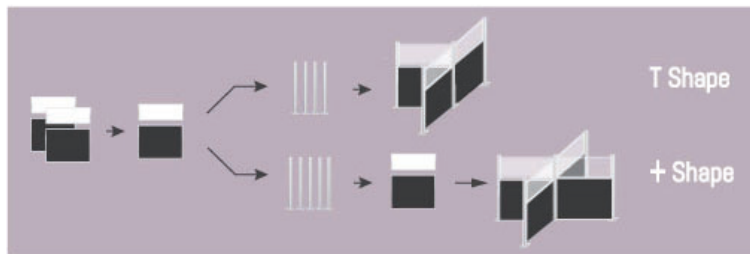
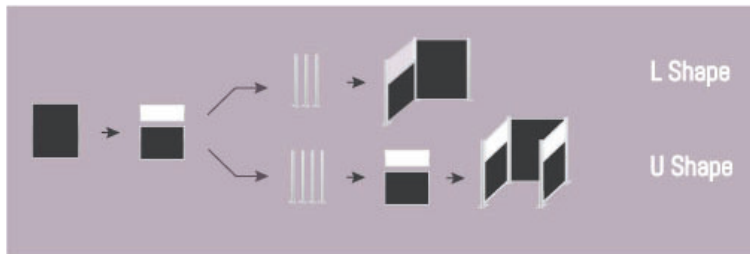
VERSARE

Versare Solutions, LLC
3236 California St. NE • Minneapolis, MN 55418
1-855-457-1473 • customerservice@versare.com

Some of the many possible configurations of the Hush Panel.



The Hush Panel is infinitely expandable, allowing it to grow along with your organization.



Our Hush Panel Configurable Cubicles coordinates with our Hush Screen Portable Partition. Like the Hush Panel Cubicles, construction is toolless and the cost is affordable. Check out our all our Hush Panel options at <https://www.versare.com/shop/cubicles-work-stations/>.