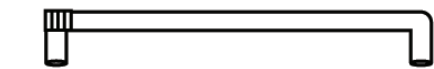
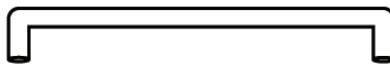


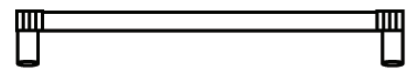
Canvas panels cover a five-panel or seven-panel divider – (2) with Velcro tabs for end panels



A - Outside Panel Frame Caps (4)



B - End Panel Frame Caps (4)



C - Center Panel Frame Caps
(2) five-panel or (6) seven-panel

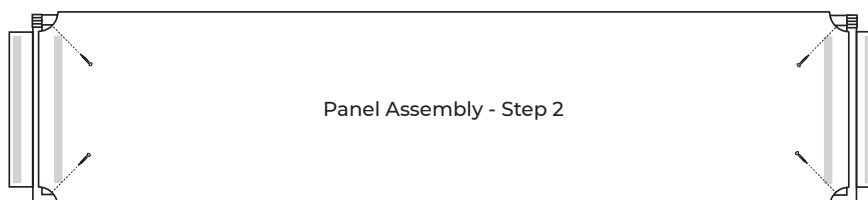
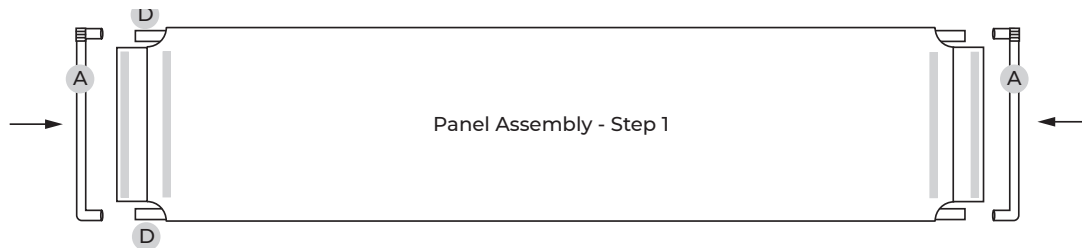


D - Panel Frame Posts (10) 5-panel or (14) 7-panel

Reserve Materials: Take out and set aside (4) Part B, (4) Part D, and (2) canvas end panel covers with Velcro tabs.

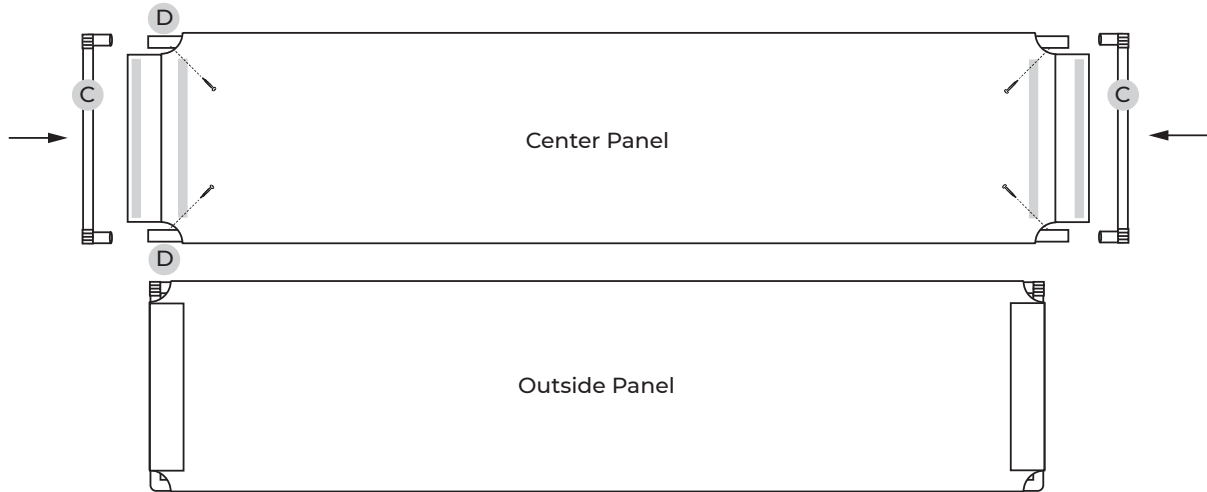
Panel Assembly

Lay out first plain canvas panel, Velcro closure facing up. Insert (2) Part D, one for each side. Connect the panel frame posts with (2) of Part A, facing the two plain ends the same direction. Use (4) screws on the inside of the corners to secure the frame. Pull canvas ends taut and seal Velcro flaps to finish your outside panel.

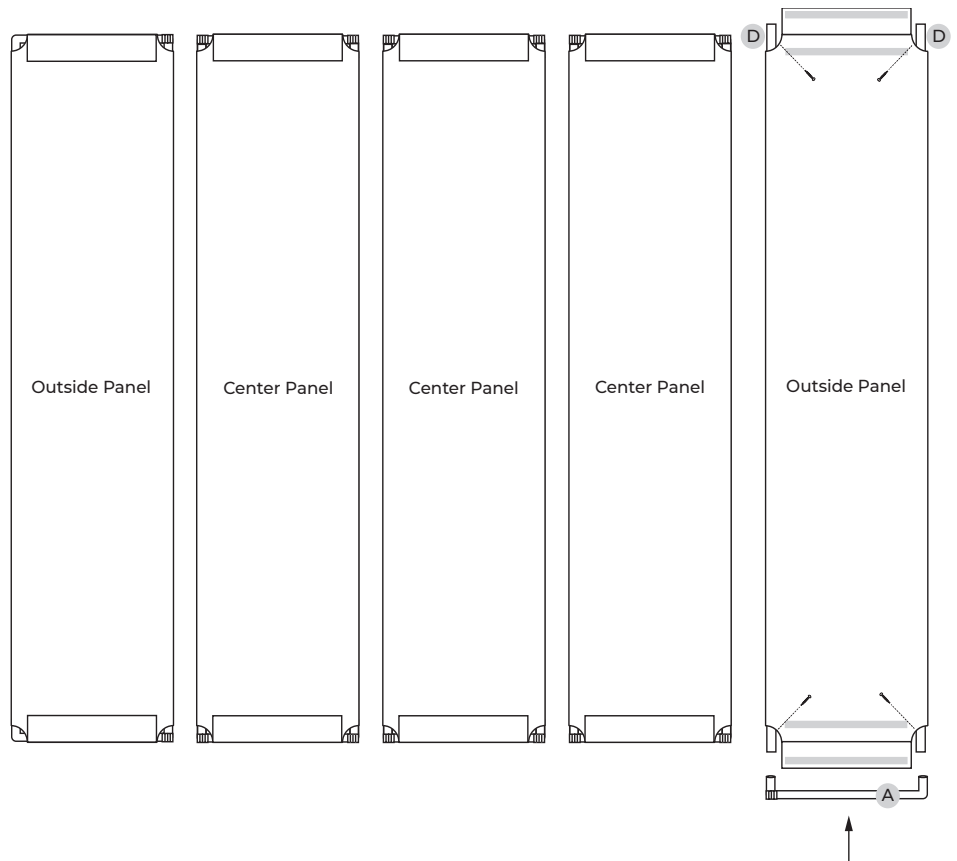


Next

Lay out second plain canvas panel, Velcro closure facing up. Again, insert (2) Part D, one for each side. Connect the panel frame posts with (2) Part C and use (4) screws on the inside of the corners to secure the frame. Pull ends taut and seal Velcro flaps to finish your center panel. If you have a seven-panel Duraflex, repeat two more times so you have a total of three center panels.

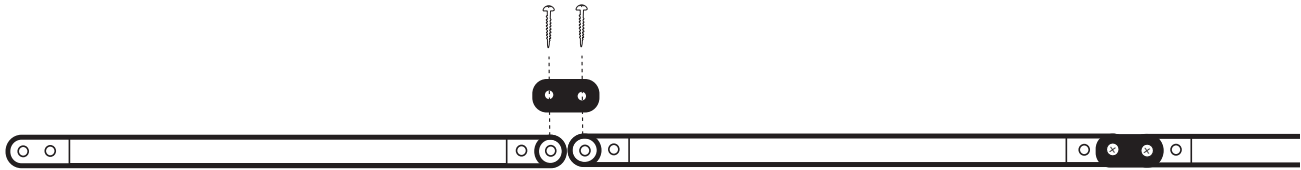

Final Outside Panel

Lay out final plain canvas panel, Velcro closure facing up. The (2) panels with Velcro tabs are still set aside. Insert (2) Part D, one for each side. Connect the panel frame posts with the (2) remaining Part A, facing the two plain ends opposite the end assembled in Step 2. Use (4) more screws on the inside of corners to secure the frame. Seal Velcro flaps. Lay out panels in order of assembly as pictured for Step 5.



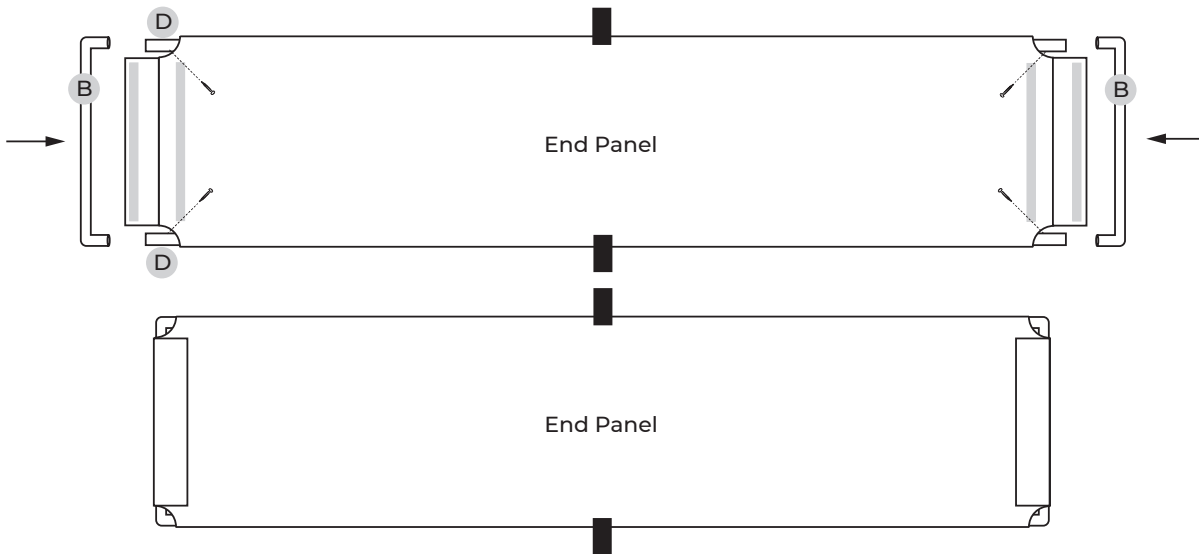
Connecting the Panels

With panels laid out next to each other, all Velcro tabs facing up, use (1) hinge plate and (2) screws for each connection point of the completed panels.



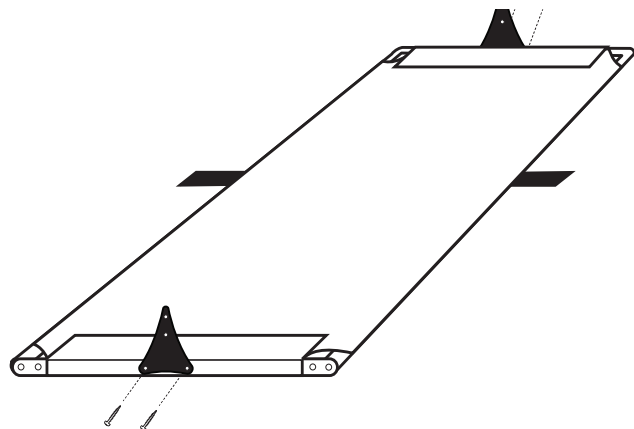
End Panels

When all the panels are connected, top and bottom, for a total of (4) secured hinge plates (five-panel) or (8) secured hinge plates (seven-panel), fold up screen like an accordion and set aside. Assemble the end panels with the reserved materials in Step 1. Lay out each of the two remaining canvas panels, Velcro closures facing up. Insert (2) Part D, connecting them with the (4) Part B remaining. Secure frame with (4) screws.



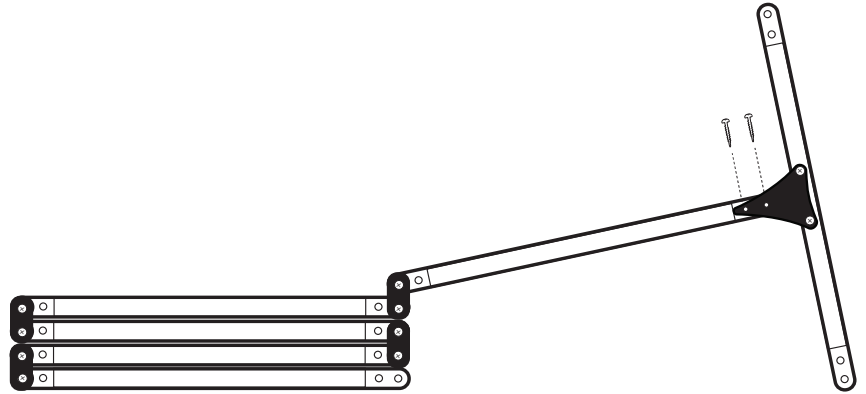
Attach End Panel Plates

With both end panels flat on the ground, Velcro closures facing up, locate two screw holes in each of the end panel frame caps below the canvas. Use (2) screws per end panel frame cap to secure each of the (4) end panel plates, pointed end facing up.

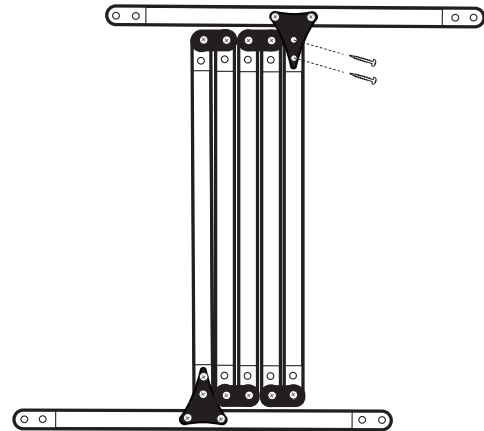


Attach End Panel Plates

Unfold outside panel from the top of the panel stack and secure the first end panel with (2) screws through remaining holes of each end panel plate. (Velcro closures of end panel should be facing toward the bundle.) Repeat to secure other end of the end panel.



Carefully turn stack over so the panels are positioned vertically on end, resting on the first attached end panel.



Set the final end panel on top of the vertical stack, end panel plate pointing down. Using (4) screws, secure the final end panel, (2) screws for each end panel plate.

Castors

Tap in casters (or alternatively, feet), (2) in each end panel, (4) in the center panels. Only (1) caster per center panel is required, alternating sides of panels.

